

KANO 836 930 B INSTALLATION INSTRUCTION

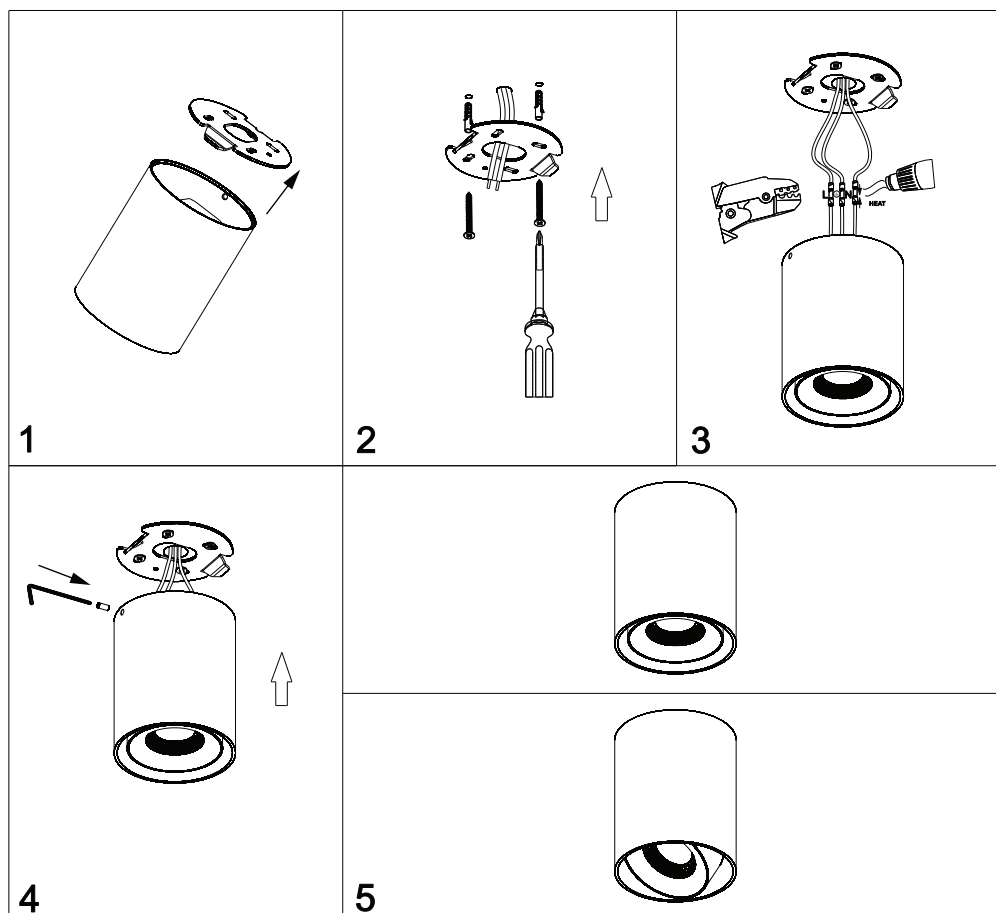
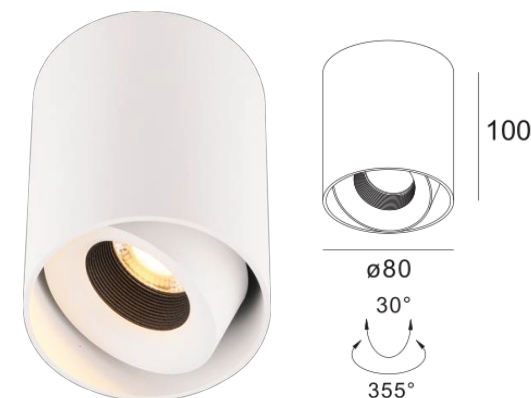
Ceiling Surface Light

LED adjustable light

LAMP I A tech

WARNING!

Confirm the correct connection method, incorrect connection can lead to improper work, and even damage. If install wrong, it may fall off. Refer to installation instruction for installing.



1. The installation must be done in strict accordance with the instruction.
2. Please don't install the lighting in easily damaged, deformed, unsteady ceiling.
3. Please make sure you have cut off the power supply before install, changing or clearing the lamp.
4. Please make sure there is no component loose.
5. LAMP I A has the right to the interpretation of the installation instructions.
6. Customed made by LAMP I A.
7. LAMP I A s.r.o.

Chmelniky 38,
040 16 Kosice,
Slovak republic

Mobile: + 421 905 549 345

E-mail: lampia@lampia.com

Website: www.lampiatech.com

