

## Design ring light

Design lighting for homes, galleries, shops, shops, commercial spaces and restaurants



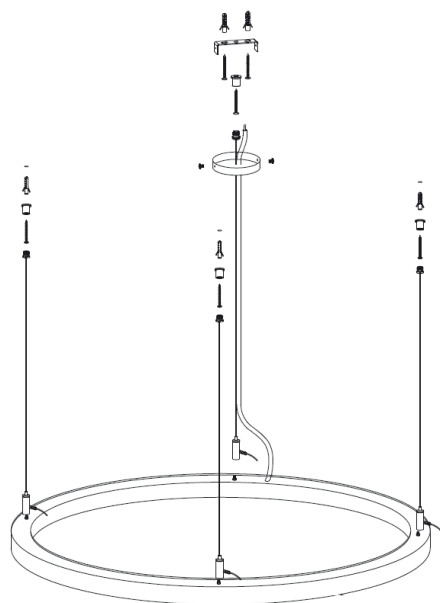
### COMMON FEATURES:

- High quality aluminum body finish and a silicone matt diffuser
- Variable luminaire diameters
- Suspension construction
- High light efficiency
- True color RA90 + light for all light temperatures
- Possibility of any dimming, possible
- adjustment of the light output already in the standard version of the luminaire
- • Diffuse and steady distribution of light
- Optional RAL colors
- Design lighting for households, galleries, shops,
- commercial spaces, restaurants
- A body made of aluminum is provided
- efficient heat dissipation
- Standard color temperature 2700K or 4000K
- RA90 + for high-quality, faithful and cool lighting
- Optional production and large diameters

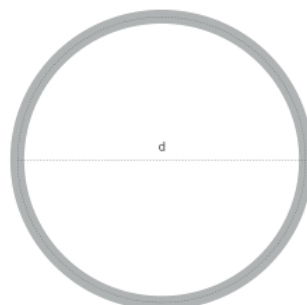
# RANERO

Design ring light

LAMP|A tech



Model	Dimensions (Diameter x Height x Width)
RANERO 600	600x62x80 mm +/- 10mm
RANERO 1200	1 200x62x80 mm +/- 10mm
RANERO 1500	1 500x62x80 mm +/- 10mm
RANERO 2000	2 000x62x80 mm +/- 10mm
RANERO 3000	3 000x62x80 mm +/- 10mm



Model series	Model No.	Power(W)	Lumens(lm)	Kelvins(K)	CRI/RA	Beam	IP	VAC(Input)
<b>RANERO 600</b>	RANERO 600 35 927	35W +/-5%	3000 lm +/-5%	2700K	RA90	120°	IP20	220-240VAC
	RANERO 600 35 940	35W +/-5%	3200 lm +/-5%	4000K	RA90	120°	IP20	220-240VAC
	RANERO 600 55 927	55W +/-5%	4700 lm +/-5%	2700K	RA90	120°	IP20	220-240VAC
	RANERO 600 55 940	55W +/-5%	5000 lm +/-5%	4000K	RA90	120°	IP20	220-240VAC
<b>RANERO 1200</b>	RANERO 1200 55 927	55W +/-5%	4700 lm +/-5%	2700K	RA90	120°	IP20	220-240VAC
	RANERO 1200 55 940	55W +/-5%	5000 lm +/-5%	4000K	RA90	120°	IP20	220-240VAC
	RANERO 1200 70 927	70W +/-5%	5950 lm +/-5%	2700K	RA90	120°	IP20	220-240VAC
	RANERO 1200 70 940	70W +/-5%	6650 lm +/-5%	4000K	RA90	120°	IP20	220-240VAC
<b>RANERO 1500</b>	RANERO 1500 70 927	70W +/-5%	5950 lm +/-5%	2700K	RA90	120°	IP20	220-240VAC
	RANERO 1500 70 940	70W +/-5%	6650 lm +/-5%	4000K	RA90	120°	IP20	220-240VAC
	RANERO 1500 79 927	79W +/-5%	8000 lm +/-5%	2700K	RA90	120°	IP20	220-240VAC
	RANERO 1500 79 940	79W +/-5%	8850 lm +/-5%	4000K	RA90	120°	IP20	220-240VAC
<b>RANERO 2000</b>	RANERO 2000 79 927	79W +/-5%	8000 lm +/-5%	2700K	RA90	120°	IP20	220-240VAC
	RANERO 2000 79 940	79W +/-5%	8850 lm +/-5%	4000K	RA90	120°	IP20	220-240VAC
	RANERO 2000 125 927	125W +/-5%	10 625 lm +/-5%	2700K	RA90	120°	IP20	220-240VAC
	RANERO 2000 125 940	125W +/-5%	11 875 lm +/-5%	4000K	RA90	120°	IP20	220-240VAC
<b>RANERO 3000</b>	RANERO 3000 180 927	180W +/-5%	15 300 lm +/-5%	2700K	RA90	120°	IP20	220-240VAC
	RANERO 3000 180 940	180W +/-5%	17 100 lm +/-5%	4000K	RA90	120°	IP20	220-240VAC

**Dimmable version**  
(when ordering please apply for the model) **DIM 3in1** – Dimming 3 in 1 (PWM,1 -10V, Resist.) / **DALI** – Dimming with DALI system

