

# LED OUTDOOR FLOODLIGHT SOKAR

LED architectural light



- Power 90-720 W 220-240VAC 50/60 Hz
- Luminous efficiency 110 lm/W
- SDCM 3 (MacAdam)
- Flicker free LED driver
- Temperature -15 °C +35 °C
- Lifespan: 50 000 L80/B50 (Ta=25 °C)
- Options: TRIAC/DALI/1-10V/DMX/SMART and different wireless options
- High color rendering index for spectacular light quality over CRI80+ (Standard), CRI90+ (on demand) or CRI95+ (on demand)
- Wide color temperature range from 2200K up to 6500K (on demand) with standard versions 2700K, 3000K and 4000K, SDCM 3 color accuracy
- Deep anti-glare structure ensures visual comfort which could be enhanced by extra accessory honeycomb or deep spot glare protection cover
- COB or High power LED version
- Ideal for architectural lighting of buildings, exterior installations or gardens
- IP66 and aluminium body for better heat dissipation
- Separated space for driver and LEDs for better heat management
- Lamp colors – Gray (standard), RAL(option)
- Wide option for reflectors, lenses or custom solution
- Different installation accessories
- Famous LED brands: CREE, LUXEON, NICHIA, OSRAM

MODEL	POWER(W)	LUMENS SYSTEM(lm)	LUMENS SOURCE(lm)
SOKAR 90	90	8100*	12150*
SOKAR 150	150	13500*	20250*
SOKAR 210	210	18900*	28350*
SOKAR 300	300	27000*	40500*
SOKAR 360	360	32400*	48600*
SOKAR 420	420	37800*	56700*
SOKAR 600	600	54000*	81000*
SOKAR 720	720	64800*	97200*
SOKAR 800	800	72000*	108000*

\*3000K CRI90 Ta=25°C SDCM3

## ORDER OPTIONS:

When ordering, please fill in the parameters in bracket in this order:

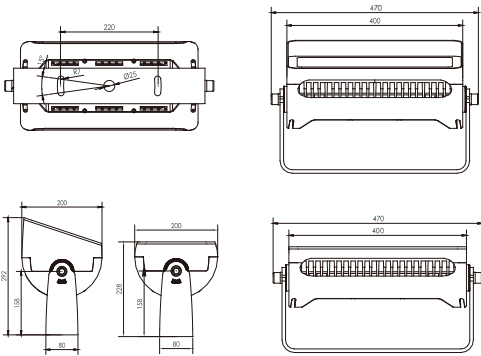
### EXAMPLE: SOKAR M9015 827W

MODEL	SIZE	POWER	ANGLE	DIMMING	CRI	KELVIN	HOUSING	GLARE PROTECTION
SOKAR	M	90	2.5	-	9	27	GR	-
SOKAR (SOKAR)	M (M) L (L) XL (XL) DOUBLE (D)	90 for M (90) 150 for M (150) 210 for L (210) 300 for L (300) 360 for L (360) 800 for XL (800) 420 for D (420) 600 for D (600) 720 for D (720)	2.5° (2.5) 3.5° (3.5) 5° (5) 10° (10) 15° (15) 20° (20) 30° (30) 40° (40)	ONN/OFF (-) TRIAC (TR) DALI (DA) 0/1-10V (110) ZIGBEE(ZG)	CRI 90(9) CRI 80(8)	2700K(27) 3000K(30) 4000K(40)	GREY (GR) WHITE (WT) BLACK (BK) Any RAL (RALXXXX)	None (-) Honeycomb grill (HG) Anti-glare shield (SH)
			1x10° (1x10) 1x40° (1x40) 1x60° (1x60) 10x60° (10x60)					

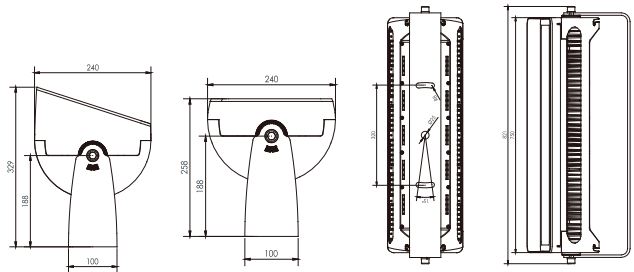
# LED OUTDOOR FLOODLIGHT SOKAR

LED architectural light

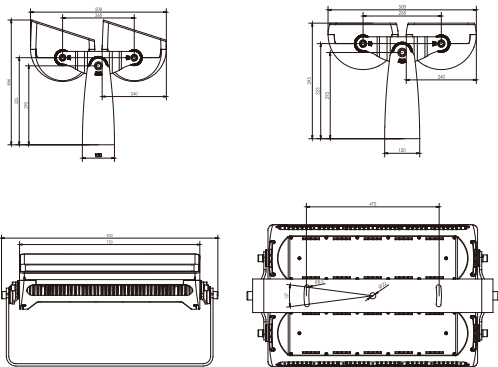
## SOKAR M



## SOKAR L



## SOKAR DOUBLE



## SOKAR XL

