

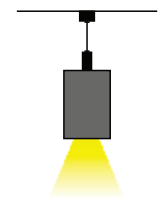
LED MAGNETIC TRACK LIGHT VALTON

Ideal use for hotel, restaurant, shops, offices and home lighting.

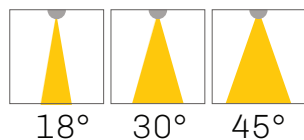


- Power 12-15 W 48 VDC 50/60Hz
- Luminous efficiency 85-100 lm/W
- SDCM 3 (MacAdam)
- Flicker free LED driver
- Temperature -15 °C +35 °C
- Lifespan: 50 000 L80/B50 (Ta=25 °C)
- Cover: IP20
- Options: ON/OFF/ TRIAC/ DALI/ 1-10V/ ZIGBEE
- LED driver with high PF, low THD, small ripple and flicker free as standard option
- Different type of diffusers including prismatic diffuser UGR19 and wallwasher linear lens
- Color temperature range in standard on stock 2700K, 3000K and 4000K, or custom temperature colors from 2200K up to 6500K (on demand)
- High color rendering index over CRI90+ (STANDARD) or CRI80+/CRI95+ (on demand)
- Standard LED SMD technology
- Neverending line or custom shapes of luminaire system
- Separated high quality driver and LEDs for better heat management and optional service
- Aluminium body for better heat dissipation
- Lamp colors – Matt Black, Matt White (standard), RAL(option)
- Installation accessories - pendant

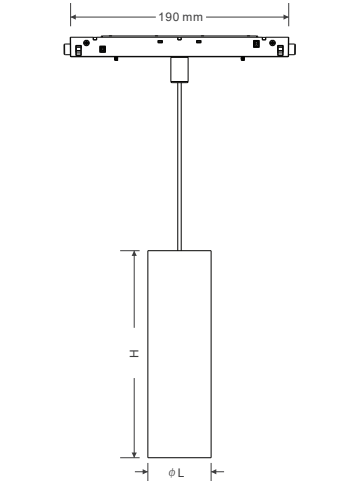
INSTALLATION



REFLECTOR



SIZE



MODEL	POWER(W)	LUMENS SYSTEM(lm)	LUMENS SOURCE(lm)	SIZE(LxH) mm
55x180 12W	12	1260*	1620*	55x180
40x400 15W	15	1575*	2025*	40x400

*3000K CRI90 Ta=25°C SDCM3

ORDER OPTIONS:

When ordering, please fill in the parameters in bracket in this order:

EXAMPLE: VALTON 1218 927B

MODEL	TYPE	ANGLE	DIMMING	CRI	KELVIN	HOUSING	INSTALLATION
VALTON	S	18	-	9	27	B	-
VALTON (VALTON)	55x180 (S) 40x400 (M)	18° (18) 30° (30) 45° (45)	ONN/OFF (-) TRIAC (TR) DALI (DA) 0/1-10V (110) ZIGBEE(ZG)	CRI 90(9)	2700K(27) 3000K(30) 4000K(40)	Matt white(W) Matt black(B) RAL(RALXXXX)	Pendant (-)