

SOKAR L INSTALLATION INSTRUCTION

LED outdoor floodlight

LED architectural light

WARNING!

Confirm the correct connection method, incorrect connection can lead to improper work, and even damage. If installed wrong, it may fall off. Refer to the installation instruction for installation.

I. Product introduction:

- The fixture is LED luminaire.
- Surface/Wall installation method.
- ADC12 Die-casting aluminum, High-intensity tempered glass, PMMA optical lens, Reflector, Silicone waterproof sealed
- Isolated space for PCB and diver keeps rapid and stable the heat dissipation.
- Ingress protection is IP66
- Electrical class: Class

II. Observe the following dos and don'ts

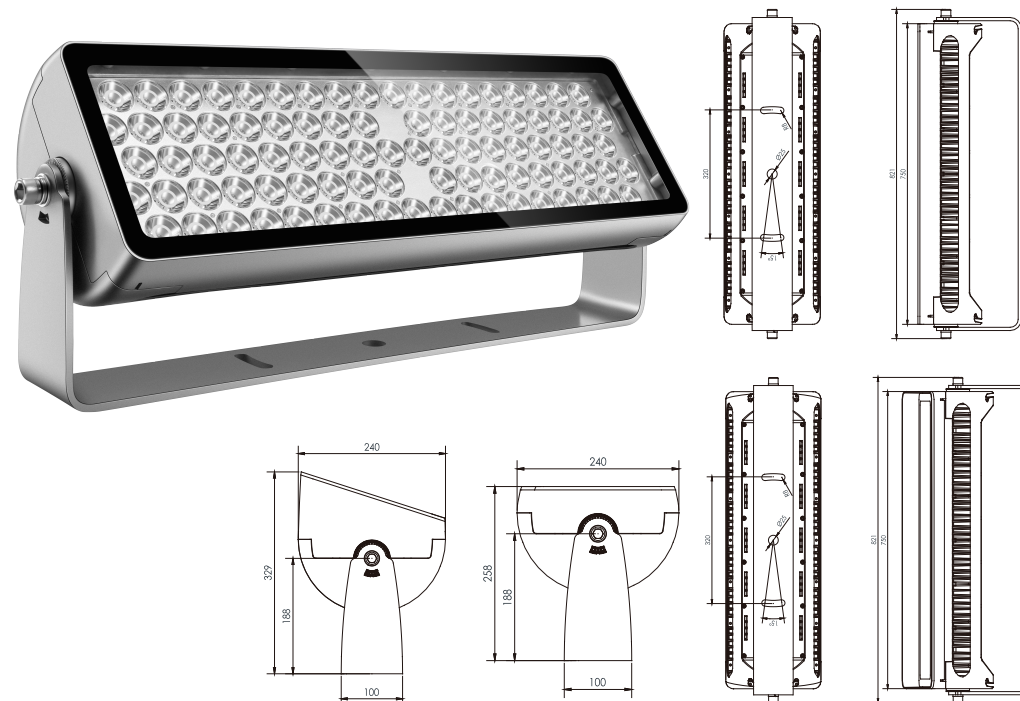
1. Install in the IP 65 environment or beneath the IP65.
2. Prohibit punching any position of lamps
3. Please turn off the power and contact the dealer for problems in connection or other abnormal cases.
4. Installed by the qualified electrician holding a certificate.
5. Prohibit operating the lamps beyond the voltage scope as stipulated
6. Don't make the external power cable exposed during wiring.

III. Remarks for the cables

When you get the fixture, please check and find the relative version and confirm its Color Temperature, Electrical class, the cable out.

Attention:

- When you get the fixtures is class III, please use a transformation to light.
- When you get the RGB DMX512 fixture, please accurately connect the DMX cables, otherwise, it will influence the regular work.



CABLES OUT FOR DIFFERENT COLOR TEMPERATURE AND ELECTRICAL CLASS			
_ VERSION 1		_ VERSION 2	
Single Color _ WW _ CW		_ RGB (DMX512)	
_ Class I	L, N, E	Class III	Power cable: 2pin1 V+ /Red wire, V- /Blue wire
Class III _ DC36V _ DC24V _ DC12V	V+ /Red wire V- /Blue wire	_ DC36V _ DC24V _ DC12V	DMX IN cable: 3pin1 ■DMX+ Red wire ■DMX- Blue wire ■GND Green wire

SOKAR L INSTALLATION INSTRUCTION

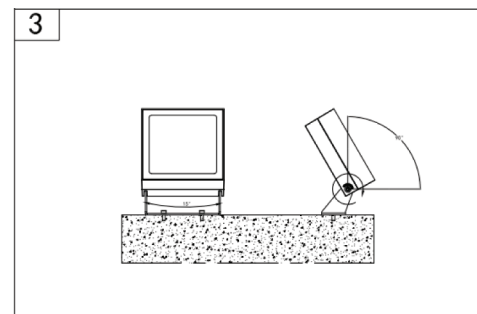
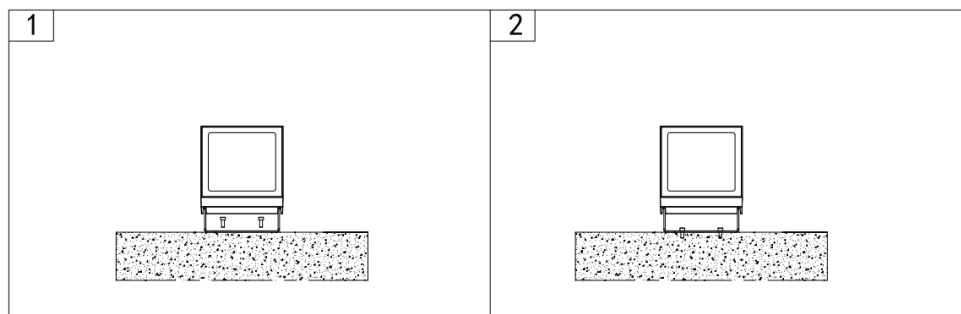
LED outdoor floodlight

LED architectural light

IV. Installation Instructions

1. According to step ①②, use screws to fix the bottom on the mountings surface.

2. According to step ②, adjust the bracket as your project needed.



3. **Notes:** The fixture must get reliable connection with the mounting surface, any screws in the lamps should not be arbitrarily loosed. There is no special requirement on the installation direction.

V. Technical specification

Model series	Model NO	Color	Power (W)	Lumen (lm)	Kelvin (K)	CRI	IP	VAC (input) / VDC
SOKAR 360L (Single color)	SOKAR 360L 827	GR/RAL	360W	32400-50400	2700K	CRI80/ CRI90	IP66/ IK08	220-240VAC/ 24VDC
	SOKAR 360L 830	GR/RAL	360W	36000-54720	3000K	CRI80/ CRI90	IP66/ IK09	220-240VAC/ 24VDC
	SOKAR 360L 840	GR/RAL	360W	39600-59760	4000K	CRI80/ CRI90	IP66/ IK10	220-240VAC/ 24VDC
SOKAR 360L (Multi color)	SOKAR 360L 82765	GR/RAL	360W		2700K-6500K	CRI80/ CRI90	IP66/ IK10	220-240VAC/ 24VDC
	SOKAR 360L R/G/B	GR/RAL	360W		RED/GREEN/BLUE		IP66/ IK10	220-240VAC/ 24VDC
	SOKAR 360L RGB	GR/RAL	360W		RGB		IP66/ IK10	220-240VAC/ 24VDC
	SOKAR 360L RGBW 8XX	GR/RAL	360W		RGBW (W-2700K, 3000K,4000K)	CRI80/ CRI90	IP66/ IK10	220-240VAC/ 24VDC
Angle	2,5°/6°/12°/20°/30°/40°/60°/90°/10x70°/15x60°/Custom							
Type of dimming	TUYA, RF, Bluetooth, DMX, 0/1-10V, PWM, TRIAC, SMART, Casambi, Zigbee, DALI, Custom							
Glare protection	Honeycomb grill, Anti-glare shield, Custom							

VI. Customed made by LAMP I A.

VII. LAMP I A s.r.o.

Chmelniky 38,
040 16 Kosice,
Slovak republic

Mobile: + 421 905 549 345

E-mail: lampia@lampia.com

Website: www.lampiatech.com

VIII. LAMP I A has the right to the interpretation of the installation instructions.